



NEMA 4X INDUSTRIAL CONTROLS

SERIES RAINTIGHT, WEATHER RESISTANT THERMOSTATS



HIGHLIGHTS

- One Control for Heating and/or Cooling
- NEMA 4X Enclosure Complies with N.E.C. Article 547
- Rugged, Weather Resistant Enclosure
- Corrosion Resistant Materials for Long Life
- Low Mass, High Surface Area of Sensors Provide Rapid Response to Temperature Change
- Local and Remote Sensing Models Available
- Large, Readily Visible Dial
- Multi-Positional Mounting Offers Flexibility in New or Existing Installations
- High Level of Accuracy and Sensitivity
- Meets UL and CSA Requirements

The Ambient /Remote sensing thermostats are intended for applications that require a rugged, weatherproof control. Typical applications include refrigeration, walk-in coolers, freezers, ventilation fans, dampers, and heating and cooling in factory buildings, greenhouses, garages, warehouses or animal confinement buildings for poultry, hogs or livestock. The unit will tolerate spraying with water, high humidity, airborne contaminants and moderately corrosive conditions.

TECHNICAL SPECIFICATIONS



TECHNICAL SPECIFICATIONS

	Remote Sensing	Air Sensing		
Temperature Range	-30 to 100°F / -34 to 38°C	40 to 110°F / 4 to 43°C		
Sensor	8' (2.44m) Copper Bulb/ Capillary	Stainless Steel Coiled Bulb		
Switch	SPDT	SPDT		
Remote Temperature Sensing	Yes	No		
Enclosure	NEMA 4X Thermoplastic	NEMA 4X Thermoplastic		
Control	Dial Knob	Dial Knob		
Agency Approvals	UL, CSA	UL, CSA		

Note: For NEMA 4X installation, NEMA 4X connectors must be used.

RATINGS

VOLTAGE RATING	FULL LOAD	LOCKED ROTOR	NON-INDUCTIVE	PILOT DUTY
120 VAC	16.0A	80.0A	25.0A	125VA
208 VAC	13.2A	66.0A	25.0A	125VA
240 VAC	12.0A	60.0A	25.0A	125VA
277 VAC	10.0A	50.0A	22.0A	125VA

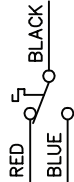
SUITABLE FOR 24 VAC OPERATION

MOUNTING INSTRUCTIONS

Ambient / Remote Sensing Thermostats

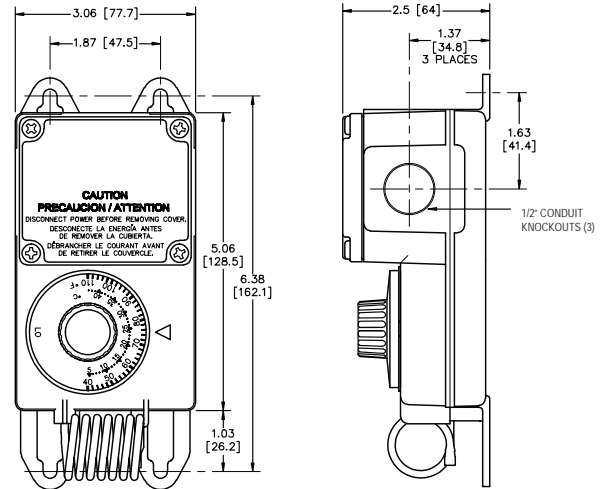
- For local sensing applications the coiled capillary bulb can be tie-wrapped to the bottom tang.

L1 (COMMON)

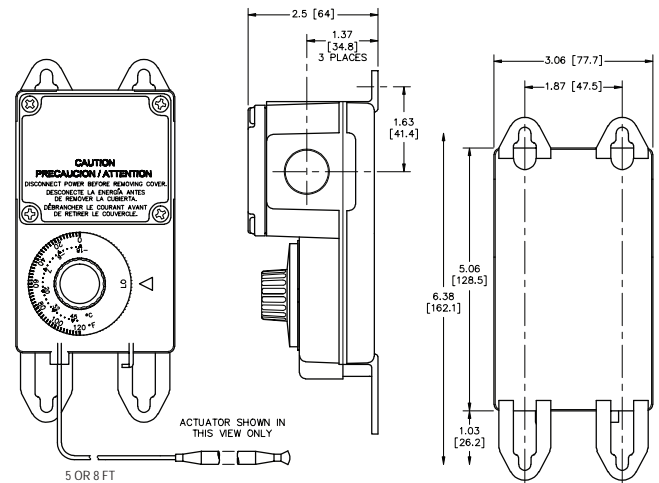


HEATING OR COOLING EQUIPMENT, SPDT, OPENS ONE CIRCUIT (RED/BLACK, REF. HEATING), CLOSES ONE CIRCUIT (BLUE/BLACK, REF. COOLING) ON TEMPERATURE RISE.

Ambient Sensing Thermostat



Remote Sensing Capillary



MODEL SELECTION GUIDE

PART NUMBER	DESCRIPTION
WS-115	NEMA 4X thermostat, stainless steel coiled bulb, 40 to 100°F / 4 to 37°C
WS-115R	NEMA 4X thermostat, 60" stainless steel bulb/capillary, 0 to 120°F / -18 to 49°C



12637 S. 265 W. Suite 100A
Draper, UT 84020

Phone: 866-676-9276
Email: sales@prolineradiant.com
www.prolineradiant.com