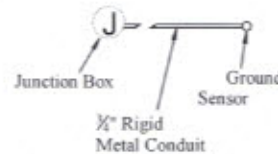
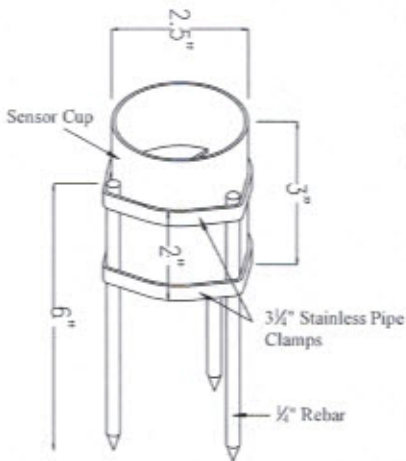


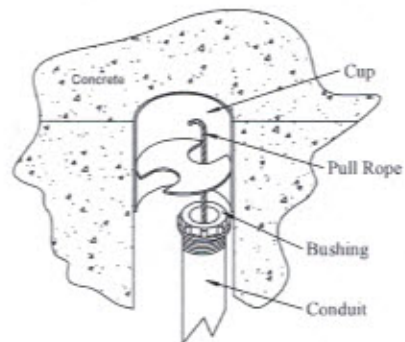
1. Install the sensor conduit at code depth for your area and perpendicular to the installed heating cable/mat.
2. Run the sensor conduit from horizontal up 90° to end at the sensor location between two heating cables/mats as shown in A or B.
3. Pull a pull rope through the conduit



4. Cut three pieces of 1/4" rebar 6" long and grind a point on the end
5. Attach the 1/4" rebar to the cup with pipe clamps as shown
6. Install the cup over the conduit with the conduit directly below one of the cutouts in the cup divider
7. Insert the rebar into the ground until the top of the cup is level with the surface of the pour.
8. Situate the pull rope through the cutout and trap it with the wooden plug that came with the cup.
9. Pour the concrete following all caveats.



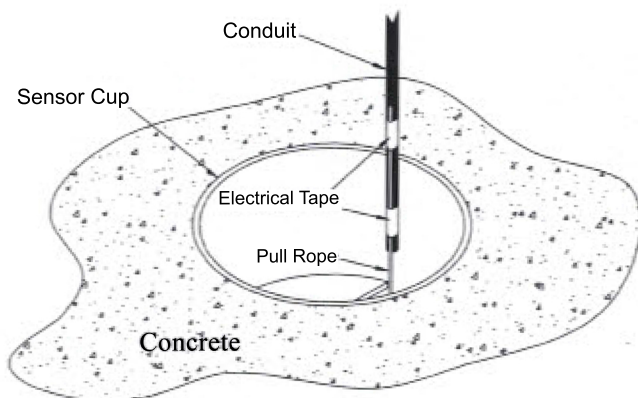
- A. Make sure that the edge of the cup is flush with the finished concrete, HOWEVER, do not slope the concrete down toward the cup to achieve this.
- B. The finished concrete should be level.



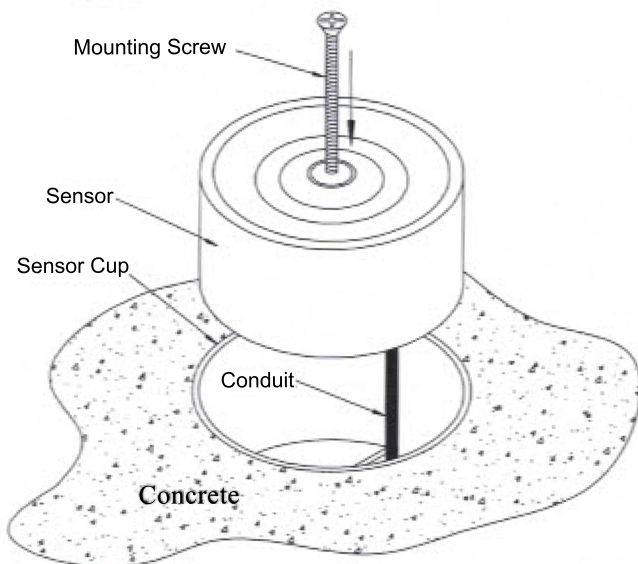
Finished Cup Install

Ground Sensor with Cup





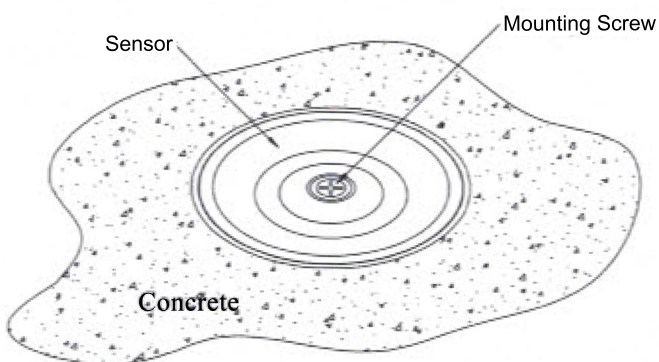
1. Attach the pull rope to the sensor wire. (Tape as required.)



2. Start the wire into the conduit.

3. Pull the sensor wire into the conduit without causing any undue stress on the sensor cable.

4. Drop the sensor into the cup while taking up the slack on the sensor cable into the conduit.



Ground Sensor with Cup