

WS-8C Aerial-mount Sensor/Controller – Data Sheet **GENERAL PRODUCT INFORMATION**

The WS-8C activation device is designed for gutter, downspout, and roof ice melting and small satellite antenna deicing. The sealed, low voltage, remote mount precipitation sensor allows the user to install the small sensor head in a downspout, the bottom of a gutter, or at the end of an antenna boom, up to 10 feet away from the main controller, which can be kept in a more convenient and/or protected location.

FEATURES INCLUDE:

- Automatic Activation for Energy Efficient Operation
- Provides Reliable Rain and Snow Detection
- Full 30A @ 277 VAC Control
- Universal 100-277 VAC 50/60 Hz Operation, No Strapping Required
- Replaceable Remote Precipitation Sensor
- Easy Installation, Full Access to Electronics
- 10 Different Functions, 1 Part Number, Simplified Ordering
- Adjustable Temperature Trigger Point
- Adjustable Delay Off Cycle with 30-90 Min or 2-6 Hr Ranges
- Adjustable Precipitation Sensitivity
- Super Bright Power/Activation LED Indicator
- Selectable Low Temperature Cutoff With Unique "Recover" Mode
- Smart "Manual On" Operates for One Delay Off Cycle
- High Power, Low Price



SPECIFICATIONS

Dimensions:	4¾"x7"x2¾" (120 mm x 178 mm x 70mm)
Weight:	2 lbs. (0.9 Kg)
Supply Power:	100-277 VAC
Operating Temperature:	-40° to 185°F (-40° to 85°C)
Trigger Temperature:	34° to 44°F (1.1° to 6.6°C) Adjustable
Enclosure Rating:	NEMA 3R
Delay Off:	30-90 minutes, field selectable
Load Capacity:	30A @ 277 VAC

GENERAL INFORMATION AND PRINCIPLES OF OPERATION

The unit is housed in a two-gang PVC enclosure. The overall dimensions of the WS-8C are 4¾" (120mm) x 7" (178mm) x 2¾" (70mm). The unit weighs 2 pounds. The user may access all electronics by removing the four front cover screws.

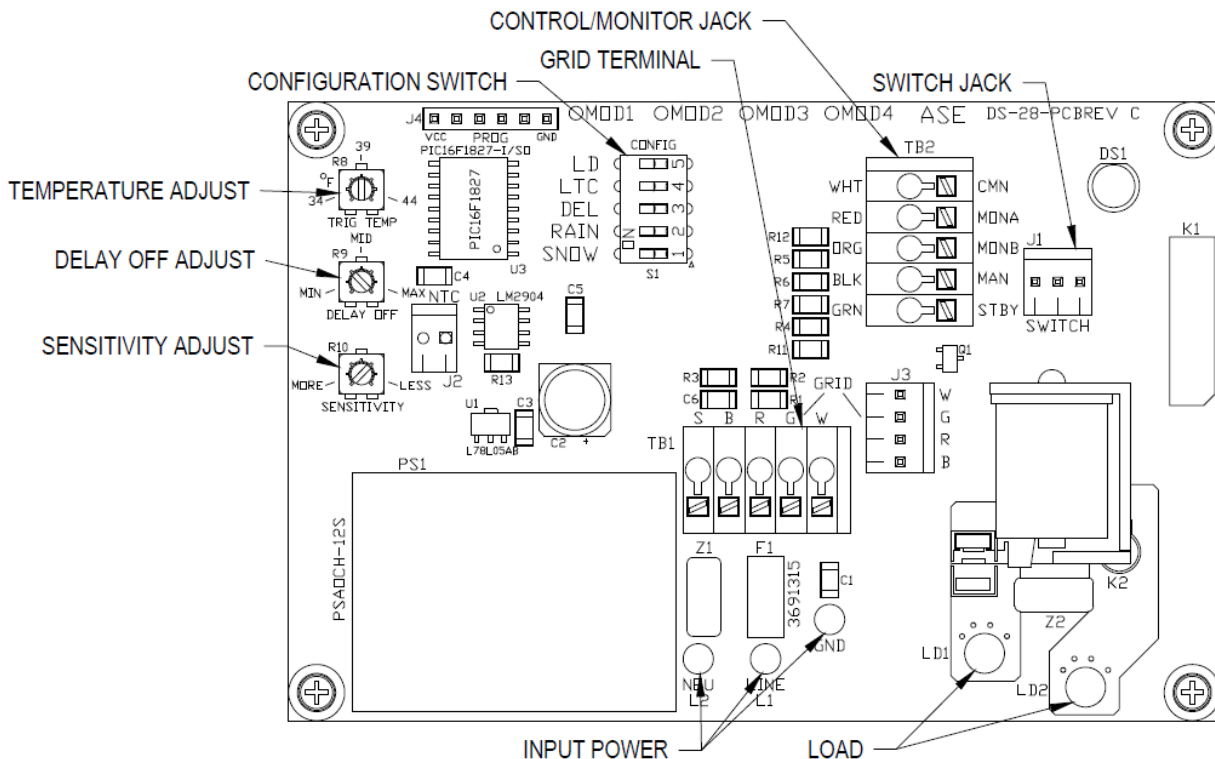
Wiring is performed by terminating your existing wiring to the pre-installed pigtails. The WS-8C is mounted by either attaching the mounting hub to a rigid ½ or ¾-inch conduit or by installing screws through the four mounting tabs provided.

The WS-8C can be powered from a 100-277 VAC 50/60Hz source. Peak power consumption is 15 watts. Input voltage selection is automatic. The unit provides a single 277VAC @ 30A normally open load contact set. This contact set is paralleled with a low power contact set to provide remote activation monitoring.

An environmentally sealed control switch is provided. The MANUAL ON function activates the controlled equipment for testing and special operational conditions. The AUTOMATIC position allows the WS-8C to handle all detections and control. The STANDBY/RESET position disables triggering and can also be used to clear the delay off timer from true or test activation.

If the switch is placed in MANUAL ON for less than 2 seconds and then switched back to AUTOMATIC, the controller will execute one delay off cycle. This can be used to clear surfaces from small snow drifts or frost or hail buildup without the danger of leaving the system in a continuous MANUAL ON condition. STANDBY/RESET can still be used to clear this DELAY-OFF cycle.

The DEL configuration switch activates the DELAY-OFF drying cycle timer on the WS-8C. The timer allows the WS-8C to continue to operate and dry the heated surface through evaporation once precipitation has stopped. The drying cycle reduces the chance of moisture left behind refreezing into ice. This timer is restarted by each sensor trigger. Therefore, the WS-8C will continue to operate as long as it is triggered, then for the DELAY-OFF period once the trigger clears. All "sensor" modes (DEL Off) provide a 2 minute DELAY-OFF time. When in CONTROLLER mode (DEL On) the Long Delay (LD) configuration switch determines the time span of the drying cycle. The DELAY-OFF time can be adjusted from 30- 90 minutes (LD Off) or 2-6 hours (LD On) using the DELAY OFF control.





TECHNICAL SUPPORT

For technical questions, please contact ProLine at 866.676.WARM (9276) or via the web - www.prolineradiant.com.

WARRANTY INFORMATION

The WS-8C is warranted against defects in workmanship and materials for 2-years from date of sale.

This warranty does not apply to damage resulting from accident, misuse, or alteration nor where connected voltage is more than 5% above the configured operating voltage, nor to equipment improperly installed or wired or maintained in violation of this Owner's Manual. No other written or oral warranty applies. No employee, agent, dealer or other person is authorized to give any warranties on behalf of ASE.

Units returned for warranty repair cannot be modified from shipped condition and leads must protrude a minimum of 6 inches from the base conduit hub. Repair costs of a modified unit will be quoted as the unit must be returned to the original, unmodified condition prior to return shipping. The customer shall be responsible for all costs incurred in the removal or reinstallation and shipping of the product for repairs. Within the limitations of this warranty, inoperative units should be returned, freight prepaid, to Manufacturer, and we will repair or replace, at our option, at no charge to you with return freight paid by Manufacturer. It is agreed that such repair or replacement is the exclusive remedy available from Manufacturer and that ProLine IS NOT RESPONSIBLE FOR DAMAGES OF ANY KIND, INCLUDING INCIDENTAL AND CONSEQUENTIAL DAMAGE. Some states do not allow the exclusion or limitation of incidental or consequential damages so the above exclusion may not apply to you. The warranty gives you specific legal rights, and you may also have other rights which vary from state to state.

ProLine accepts no responsibility for possible errors in catalogs, brochures, other printed materials, and website information. ProLine reserves the right to alter its products without notice. This also applies to products already on order provided that such alteration can be made without subsequent changes being necessary in specifications already agreed upon. All trademarks in this material are property of the respective companies. All rights reserved.